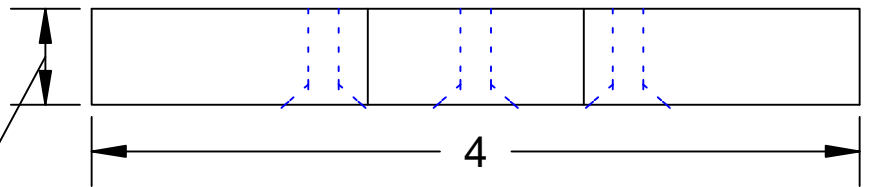
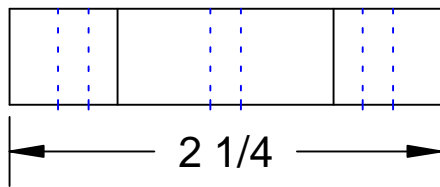
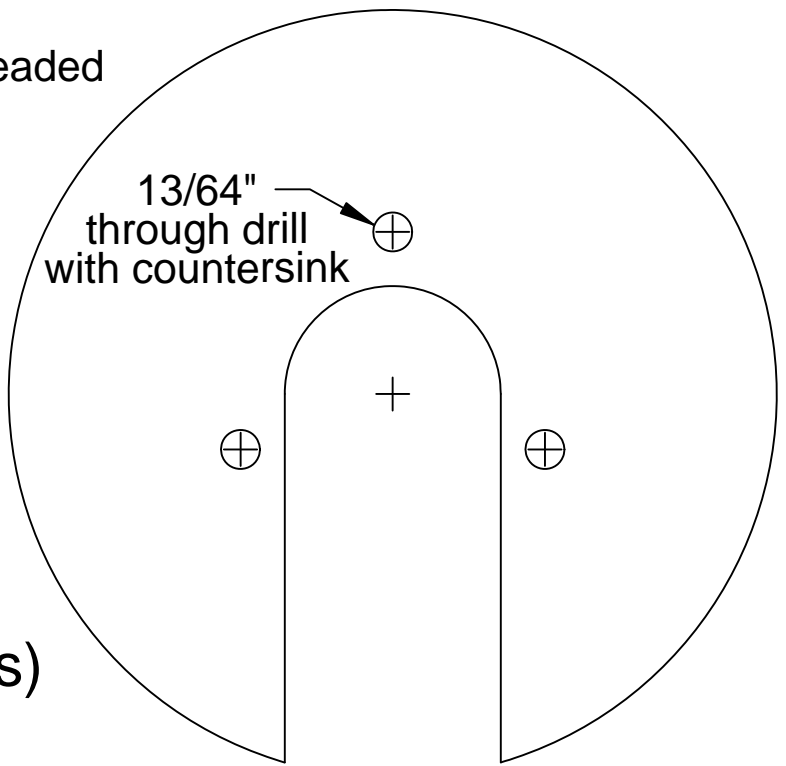
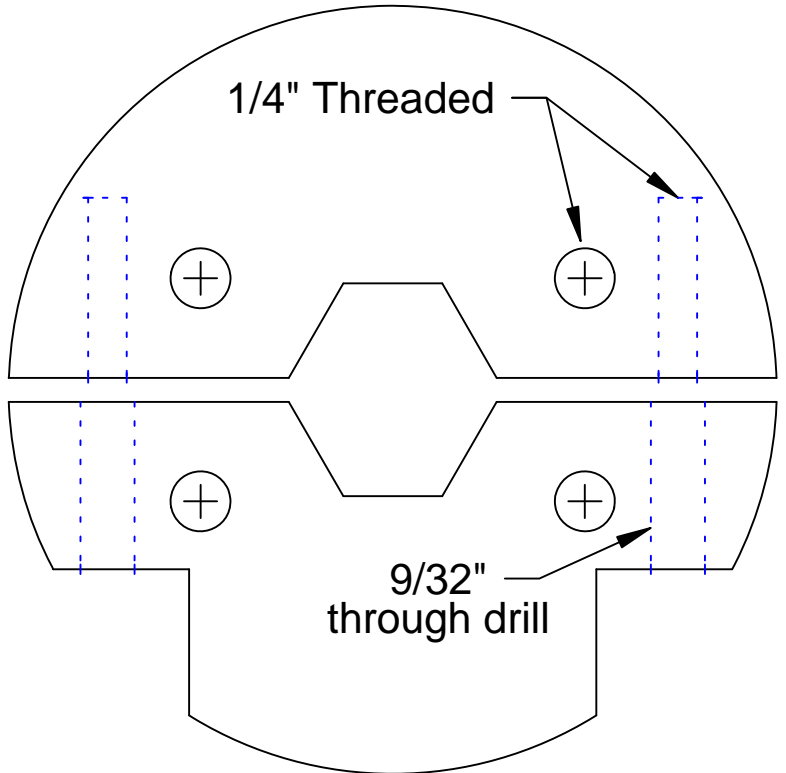


Pusher Plate (2 pieces)  
and assembled



0 1/2

Axle Clamp  
and Press



Blanks from 2-1/4" and 4"  
Aluminum Barstock

1

